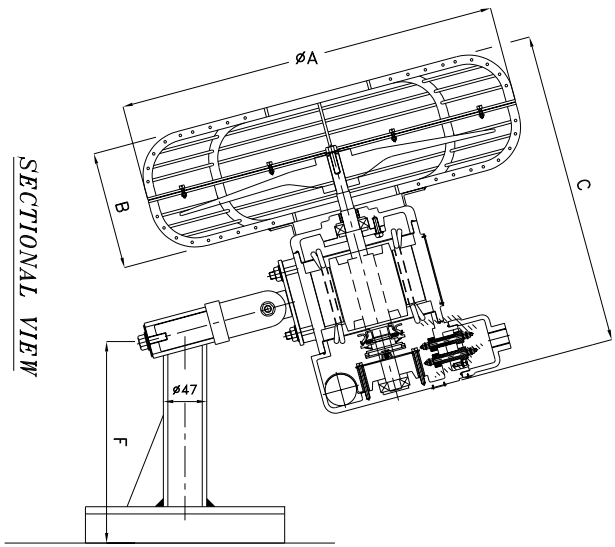


FRONT VIEW



SECTIONAL VIEW

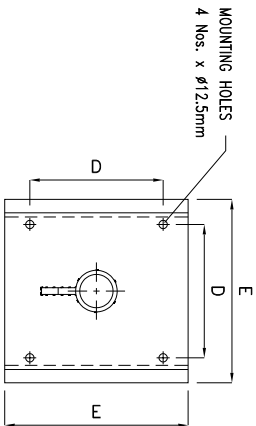
Sr.	Fan Size	ØA	B	C	D	E	F	HP	Phase
1	12"	378	127	432	200	264	405	0.25 HP	Single Phase
2	16"	485	127	432	200	264	405	0.25 HP	Single Phase
3	18"	534	127	432	200	264	405	0.33 HP	Three Phase
4	24"	690	127	457	200	264	405	1 HP	Three Phase
5	30"	850	152	508	200	264	405	1 HP	Three Phase
6	36"	1000	152	508	200	264	405	1 HP	Three Phase

Flip-wp Wall Mounting Fan Size Options with Dimensions & Rating :

Fitting OPTIONS :

- 1) MATERIAL CONSTRUCTION : STAINLESS STEEL
- 2) VOLTAGE : 230V / 415V AC/DC
- 3) CABLE GLAND & PLUG : BRASS/S.S./ALUMINIUM
- 4) PAINT SHADE : 632/355/7031/7032, etc... (As per Standard)

MOUNTING PLATE
(MATERIAL : M.S.)



FAN WITH CERTIFIED FLAMPROOF-WEATHERPROOF MOTOR :

Reference IS/IEC Standard as follows :

- 1 - FLAMPROOF (Ex d) PROTECTION - IIA/IB & IIC, IS/IEC 60079-1 (2007)
- TEMPERATURE CLASS - T5/T6
- INGRESS (IP) PROTECTION - IP-65, IS/IEC 60529 (2001). (Reaffirmed 2014)

Standard Specification :

- 1 - MATERIAL - CAST IRON
- 2 - FINISH - OUTSIDE LIGHT GREY PAINTED SHADE No. 631 AS PER IS:5 STANDARD
- 3 - EARTHING - 1 No. INSIDE & 2 Nos. OUTSIDE M6 SIZE S.S./BRASS SCREWS WITH 2 Nos. PLAIN WASHER
- 4 - HARDWARE - STAINLESS STEEL
- 5 - GASKET - 'O' RING NEOPRENE RUBBER GASKET
- 6 - MOUNTING ARRGT. - AS SHOWN IN DRG.

Material / Components Specification :

- 1 - S.S. NAME CUM WARNING PLATE (WITH DESCRIPTION TITLE, CIMFR, PESO, SR. NO., GAS GROUP, RATING, BIS MARKING, WARNING STATUS, etc....)
- 2 - MOTOR RATING - 1440 RPM, 50 Hz, MOTOR OF 'SUDHIR' MAKE (REFER TABLE)
- 3 - TERMINALS - 2 Nos. (3/16") STUD TYPE TERMINALS OF 'SUDHIR' MAKE
- 4 - CABLE ENTRIES - 1 No. M20 / 1/2" NPT / 3/4" ET EQUIVALENT
- 5 - CABLE ENTRIES FROM BOTTOM SIDE - REFER DRAWING
- 6 - CABLE GLAND - (Ex d) DOUBLE COMPRESSION TYPE CABLE GLAND OF 'SUDHIR' MAKE
- 6 - STOPPING PLUG - (Ex d) STOPPING PLUG OF 'SUDHIR' MAKE

NOTE :		CAT. No.	WMF/140
COMPONENT LAYOUT IS TENTATIVE RELOCATION OF PARTS & COMPONENTS IS POSSIBLE AT THE TIME OF ACTUAL MANUFACTURING.		MODEL No.:	WMF/140-1
OVERALL DIMENSIONS ARE ±10mm		DRN.	prodiil
Δ		CHKD.	JASHAKH
Δ		APPD.	
Δ		SHEET	1 OF 1
REV.	DATE	DESCRIPTION	DRN.
			CHD.
			APPD.
			SCALE
			N. T. S. REV.- 0

<p>SUDHIR SWITCHGEARS PVT. LTD. 130, MULBARI SAMACHAR MARG, MULBARI - 400 023</p>		CIMR. CERT. No.	P540766/1	BIS LICENCE No. :	CW/L-000331365
<p>TITLE : FLAMPROOF-WEATHERPROOF ENCLOSURE FOR WALL MOUNTING FAN</p>					
<p>Dt. 31/03/2022</p>					
<p>Dt. 18/07/2022</p>					

THIS DRAWING IS PROPERTY OF "SUDHIR SWITCHGEARS PVT. LTD." AND MUST BE RETURNED ON REQUEST IF IT IS SUBMITTED AS CONFIDENTIAL INFORMATION IN CONNECTION WITH ENQUIRY, TENDER, ORDER, OR CONTRACTS IT IS NOT TO BE USED FOR ANY OTHER PURPOSE OR ORDER NOR MAY IT RE-COPIED OR LENT WITHOUT OUR AUTHORITY IN WRITING.